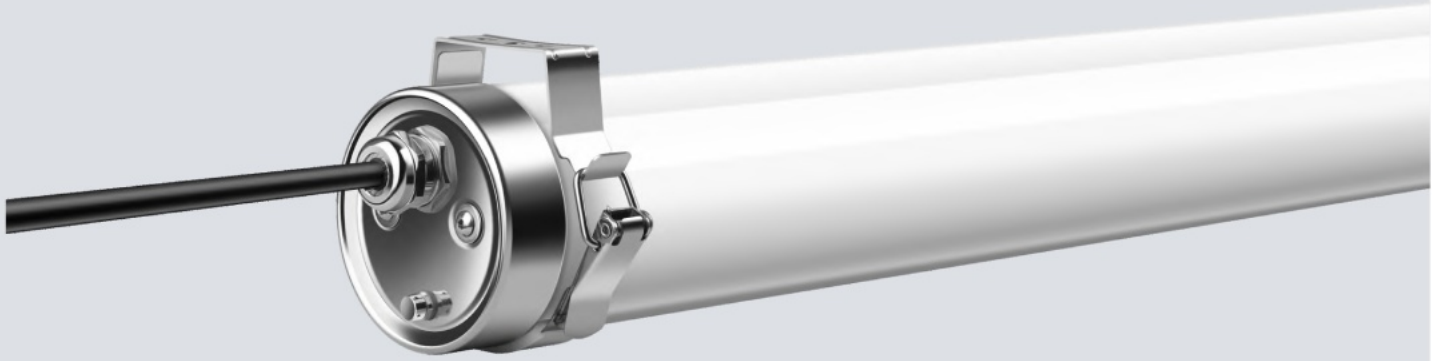


IP69K



With IP69K waterproof protection and PMMA housing, our Triumph series light can be used for applications of high humidity, high vapor, food factory, etc, where normal waterproof lights are not qualified.

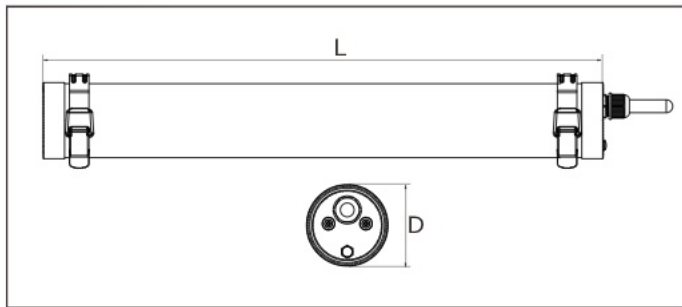
Easy Installation





Features

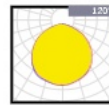
- Housing: PMMA
- Thermal Conductivity: 226 W/m·K
- Led: Bridgelux
- CRI: Ra>80
- SDCM: <6
- Power Factor: >0.90
- THD: <15
- Driver: Osram
- Driver Efficiency: >90%
- Protection: OTP, OCP, OVP, SCP
- Surge Protection: 2KV
- Waterproof: IP69K
- Impact Test: IK08
- Electrical: 220-240V, 50/60Hz
- Operating Temperature: -20~45C°
- TM21: L80B10>50,000H
- Lifetime: 50,000H



Additional addons that can be ordered

ZigBee • PWM • DALI • 0/1~10V • Micro-wave

Optical options:



150 lm/w

5 YEARS WARRANTY

Osram Driver

Bridgelux LED

Model	Watt	Voltage	Lumen	CRI	IP	Dimension
TP020TE2H-BL	20W	220~240V	3000LM	>80	IP69K	L600*D81MM
TP040TE4H-BL	40W	220~240V	6000LM	>80	IP69K	L1200*D81MM
TP060TE5H-BL	60W	220~240V	9000LM	>80	IP69K	L1500*D81MM